

92x92x38mm
3.62"x3.62"x1.50"

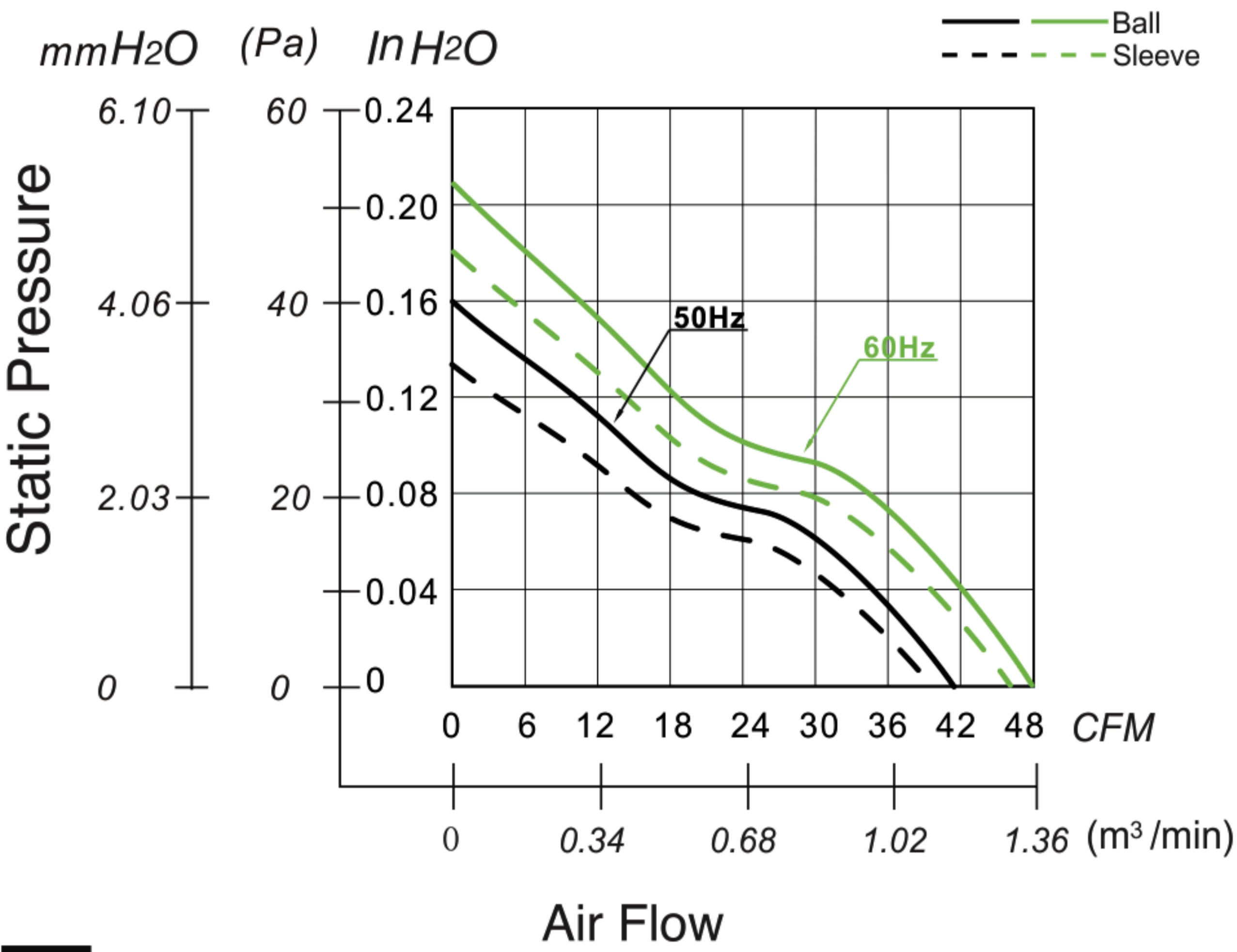
GENERAL SPECIFICATIONS

Motor Structure: Shaded Pole Induction Motor
 Motor Protection: Impedance Protection
 Insulation Type: CLASS B
 Dielectric Withstand Voltage: 50/60Hz, 1500VAC 1 MIN
 (Between Input Terminal and Frame)
 Allowable Ambient Temperature Range:
 -10°C ~ +70°C (Operating)
 -40°C ~ +70°C (Storage)
 (non-condensing environment)

MATERIAL

Casing : Aluminum Alloy
 Impeller : PBT+30% GF
 Bearing : Ball Bearing(50,000hours)
 Lead Wire : AWG#22 UL1007 Black (Optional)

PERFORMANCE CURVES



LIFE EXPECTANCY

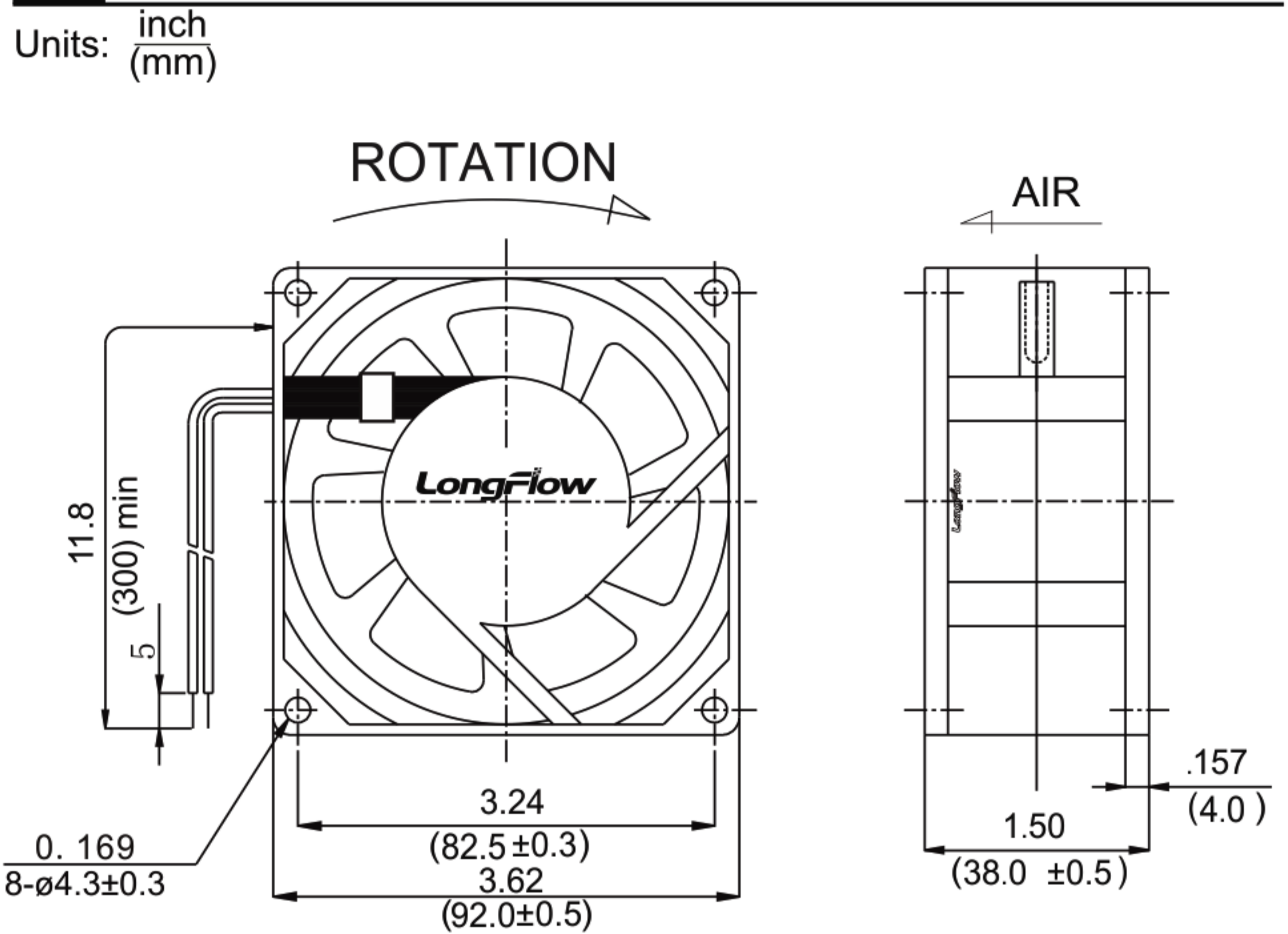
40°C Sleeve Bearing 30,000 Hours
 40°C Ball Bearing 50,000 Hours

MODEL SPECIFICATIONS

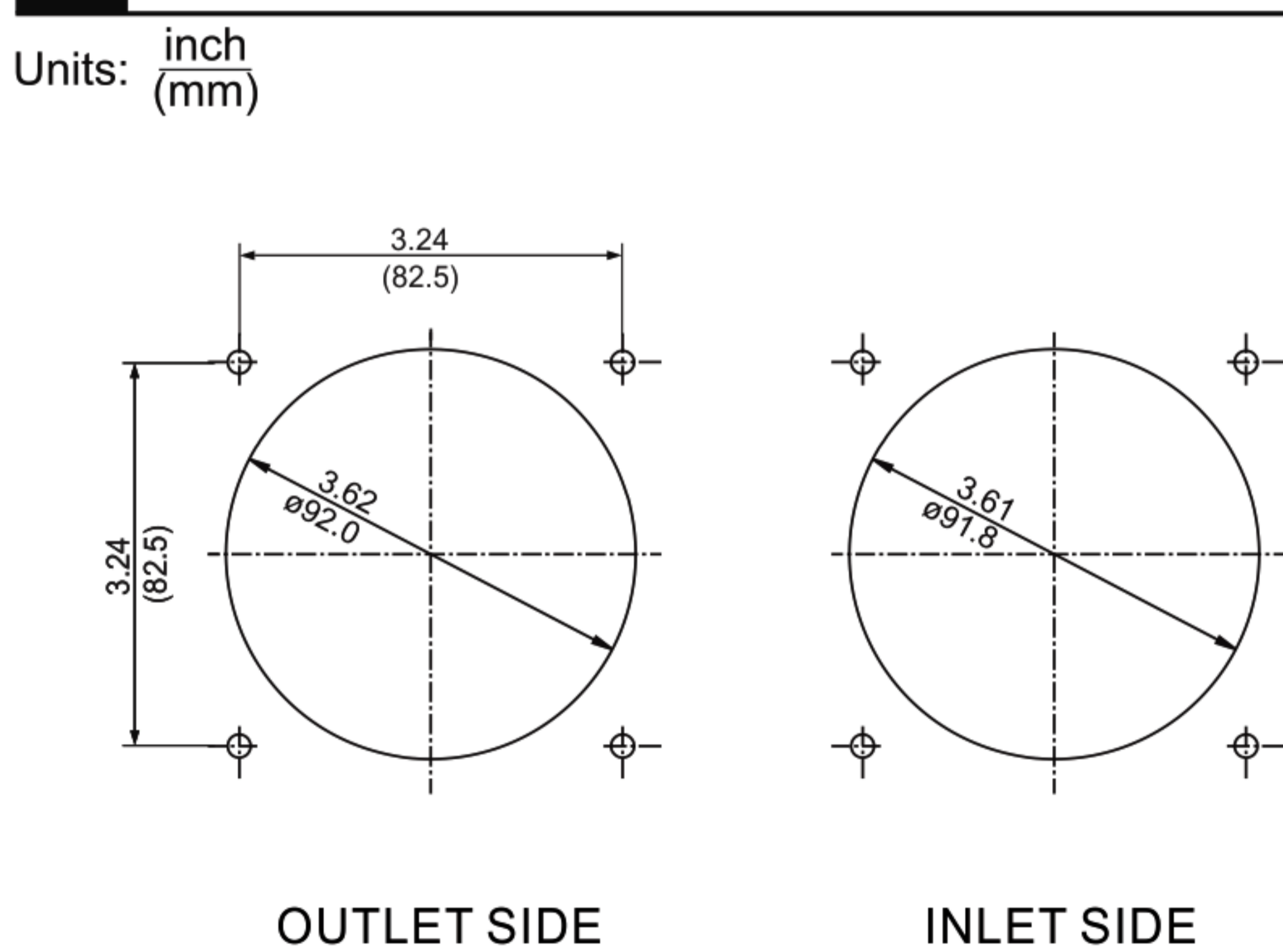
| Model | Bearing ● Ball ○ SLEEVE | Rated Voltage (V) | Freq. (Hz) | Rated Current (A) | Input Power (W) | Speed RPM | Noise Level dBA | Max. Air Flow [50/60Hz] | | Max. Air Pressure[50/60Hz] | | | | Weight (G) | | | | |
|-------------|----------------------------|----------------------|---------------|----------------------|--------------------|--------------|--------------------|-------------------------|---------------------|----------------------------|---------------------|-----|-----|---------------|------|----|----|-----|
| | | | | | | | | CFM | M ³ /MIN | mm H ₂ O | in H ₂ O | Pa | | | | | | |
| LFA9238AS11 | ○ | 110-120 | 50/60 | 0.07/0.06 | 15/13 | 2300/2700 | 35/39 | 39 | 46 | 1.10 | 1.30 | 3.6 | 5.2 | 0.14 | 0.20 | 35 | 51 | 340 |
| LFA9238AS23 | ○ | 220-240 | 50/60 | 0.15/0.13 | 15/13 | 2300/2700 | 35/39 | 39 | 46 | 1.10 | 1.30 | 3.6 | 5.2 | 0.14 | 0.20 | 35 | 51 | 340 |
| LFA9238AB11 | ● | 110-120 | 50/60 | 0.07/0.06 | 15/13 | 2400/2800 | 36/40 | 41 | 48 | 1.16 | 1.36 | 3.6 | 5.2 | 0.16 | 0.21 | 35 | 51 | 340 |
| LFA9238AB23 | ● | 220-240 | 50/60 | 0.15/0.13 | 15/13 | 2400/2800 | 36/40 | 41 | 48 | 1.16 | 1.36 | 3.6 | 5.2 | 0.16 | 0.21 | 35 | 51 | 340 |



OUTLINE DRAWING



PANEL CUT-OUT



*Important Note: All specifications and descriptions are for reference only and may be subject to change without prior notice. Please contact us for any update or further information at marketing@ventilation-fan.com
 Copyright © 2009-2017 LONGFLOW All Rights Reserved.