

200x200x60mm
8.00"x8.00"x2.36"

GENERAL SPECIFICATIONS

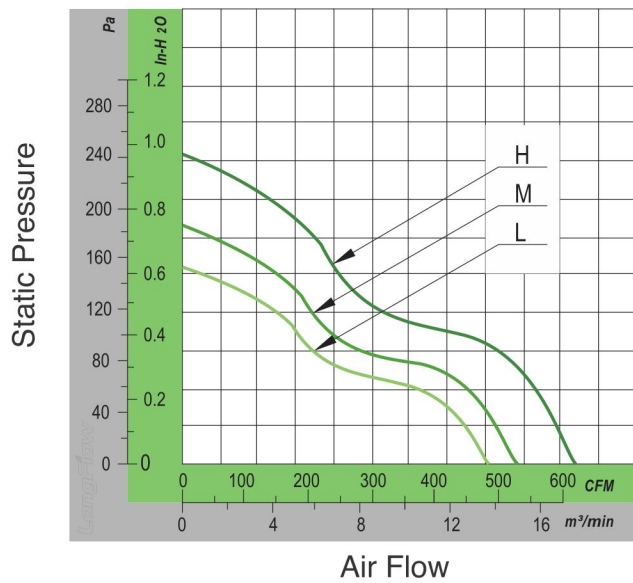
Motor Structure: Brushless DC Motor
 Motor Protection:
 Auto-Restart | Polarity Protection | Soft Start
 Allowable Ambient Temperature Range:
 -10°C ~ +70°C (Operating)
 -40°C ~ +70°C (Storage)
 (non-condensing environment)
 Safety Standard: UL | TUV | ROHS | CE (Optional)
 Customized Fan Features: FG | RD | IP56 | PWM (Optional)

MATERIAL

Frame : Aluminum Alloy
 Impeller : Plastic (UL94V-0)
 Bearing & Expected Life:
 Ball Bearing 70,000hrs (40°C)
 Lead Wire : UL1007AWG#22 or Equivalent (+) Red, (-) Black

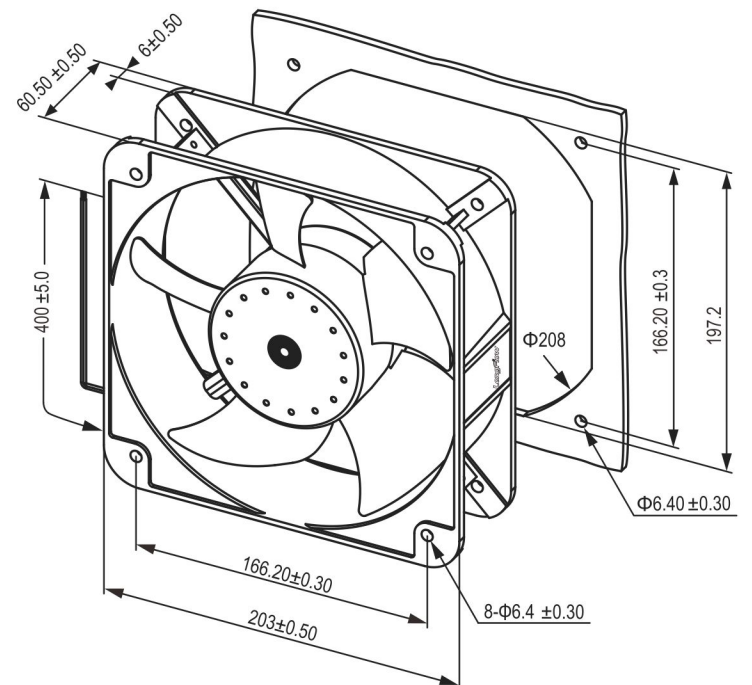


PERFORMANCE CURVES



OUTLINE DRAWING

unit: mm



MODEL SPECIFICATIONS

Model	Rated Voltage	Operating Voltage	Input Current	Input Power	Speed	Max. Air Flow		Max. Air Pressure			Noise Level	Weight
	(V)	(V)	(A)	(W)	RPM	CFM	M ³ /MIN	mm H ₂ O	in H ₂ O	Pa	dBA	(G)
LFD2060AB12H	12	7.0-13.8	3.50	42.00	3000	640.00	18.11	24.62	0.97	242	68.0	1031.0
LFD2060AB12M	12	7.0-13.8	2.80	33.60	2500	532.00	15.06	18.78	0.74	184	58.0	1031.0
LFD2060AB12L	12	7.0-13.8	2.00	24.00	2000	490.00	13.87	15.48	0.61	152	50.0	1031.0
LFD2060AB24H	24	14.0-27.6	2.50	60.00	3000	640.00	18.11	24.62	0.97	242	68.0	1031.0
LFD2060AB24M	24	14.0-27.6	1.50	36.00	2500	532.00	15.06	18.78	0.74	184	58.0	1031.0
LFD2060AB24L	24	14.0-27.6	1.00	24.00	2000	490.00	13.87	15.48	0.61	152	50.0	1031.0
LFD2060AB48H	48	28.0-56.0	1.20	57.60	3000	640.00	18.11	24.62	0.97	242	68.0	1031.0
LFD2060AB48M	48	28.0-56.0	0.80	38.40	2500	532.00	15.06	18.78	0.74	184	58.0	1031.0
LFD2060AB48L	48	28.0-56.0	0.50	24.00	2000	490.00	13.87	15.48	0.61	152	50.0	1031.0