



Φ172x51mm
Φ6.80"x2.00"

GENERAL SPECIFICATIONS

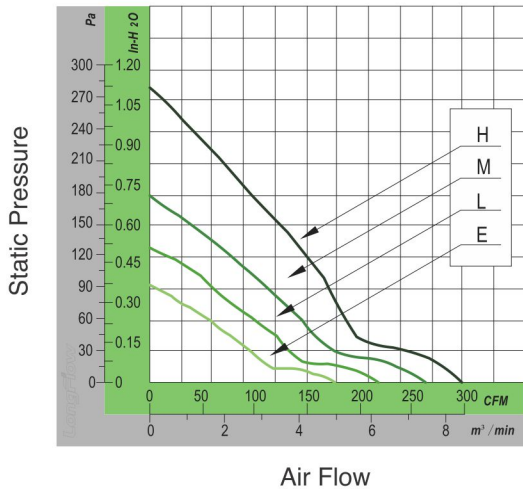
Motor Structure: EC (Electronically Commutated) Motor or Efficient DC Motor with Integrated AC to DC Converter
 Motor Protection: Auto-Restart | Soft-Start (Optional)
 Dielectric Strength: 50/60Hz 1500VAC 1min Between Input Terminal and Frame
 Allowable Ambient Temperature Range: -20°C ~ +70°C (Operating) -40°C ~ +70°C (Storage) (non-condensing environment)
 Safety Standard: UL | TUV | ROHS | CE (Optional)
 Customized Fan Features: FG | RD | IP54 | PWM (Optional)



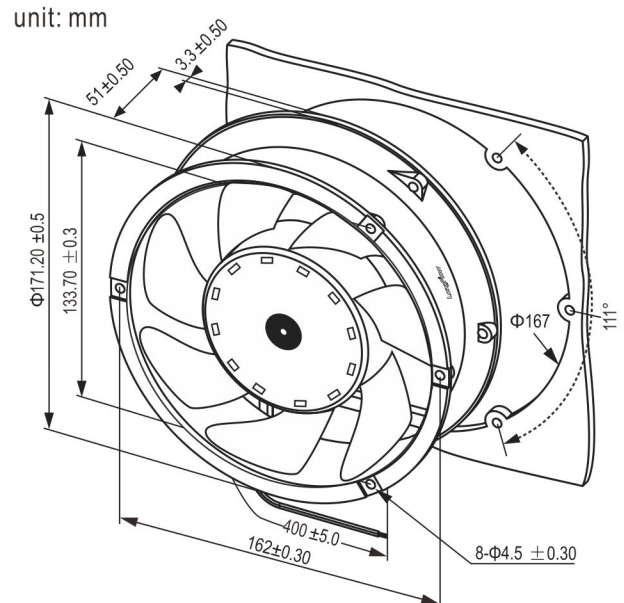
MATERIAL

Frame : Aluminum Alloy
 Impeller : Plastic (UL94V-0)
 Bearing & Expected Life: Ball Bearing 70,000hrs (40°C)
 Lead Wire : UL1007AWG#22 300mm or Terminal

PERFORMANCE CURVES



OUTLINE DRAWING



MODEL SPECIFICATIONS

Model	Rated Voltage	Freq.	Rated Current	Input Power	Speed	Max. Air Flow		Max. Air Pressure			Noise Level	Weight
	(V)					(Hz)	(A)	(W)	RPM	CFM		
LFE1751AB12H	110~240	50/60	0.32	35.0	4000	305.29	8.64	28.93	1.14	284	67.0	740.0
LFE1751AB12M	110~240	50/60	0.22	24.0	3500	257.88	7.30	18.02	0.71	177	59.0	740.0
LFE1751AB12L	110~240	50/60	0.15	15.0	3000	220.85	6.25	13.20	0.52	129	51.0	740.0
LFE1751AB12E	110~240	50/60	0.10	10.0	2500	185.24	5.24	9.39	0.37	92	44.0	740.0

WIRING DIAGRAM

