

Φ172x51mm
Φ6.80" x 2.00"

GENERAL SPECIFICATIONS

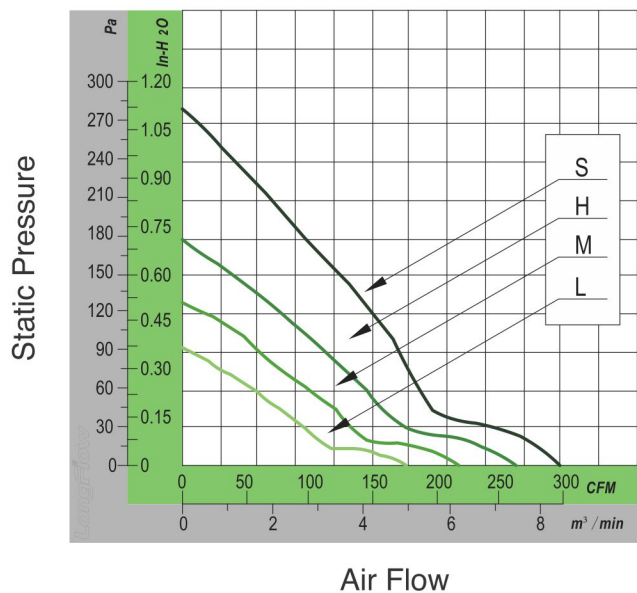
Motor Structure: Brushless DC Motor
 Motor Protection:
 Auto-Restart | Polarity Protection|Soft Start(Optional)
 Allowable Ambient Temperature Range:
 -10°C ~ +70°C (Operating)
 -40°C ~ +70°C (Storage)
 (non-condensing environment)
 Safety Standard: UL | TUV | ROHS | CE (Optional)
 Customized Fan Features: FG | RD | IP56|PWM (Optional)

MATERIAL

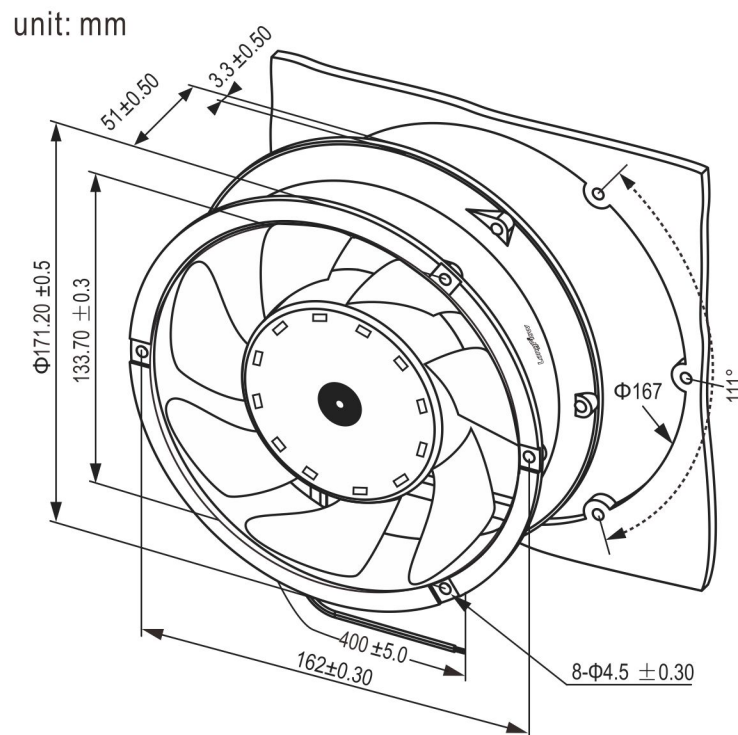
Frame : Aluminum Alloy
 Impeller : Plastic (UL94V-0)
 Bearing&Expected Life:
 Ball Bearing 70,000hrs (40°C)
 Lead Wire : UL1007AWG#22 or Equivalent (+) Red, (-) Black



PERFORMANCE CURVES



OUTLINE DRAWING



MODEL SPECIFICATIONS

Model	Rated Voltage	Operating Voltage	Input Current	Input Power	Speed	Max. Air Flow		Max. Air Pressure			Noise Level	Weight
	(V)	(V)	(A)	(W)	RPM	CFM	M³/MIN	mm H ₂ O	in H ₂ O	Pa	dBA	(G)
LFD1725AB12S	12	7.0-13.8	3.00	36.00	4000	305.29	8.64	28.93	1.14	284	67.0	740.0
LFD1725AB12H	12	7.0-13.8	2.00	24.00	3500	257.88	7.30	18.02	0.71	177	59.0	740.0
LFD1725AB12M	12	7.0-13.8	1.50	18.00	3000	220.85	6.25	13.20	0.52	129	51.0	740.0
LFD1725AB12L	12	7.0-13.8	1.00	12.00	2500	185.24	5.24	9.39	0.37	92	44.0	740.0
LFD1725AB24S	24	14.0-27.6	1.50	36.00	4000	305.29	8.64	28.93	1.14	284	67.0	740.0
LFD1725AB24H	24	14.0-27.6	1.00	24.00	3500	257.88	7.30	18.02	0.71	177	59.0	740.0
LFD1725AB24M	24	14.0-27.6	0.70	16.80	3000	220.85	6.25	13.20	0.52	129	51.0	740.0
LFD1725AB24L	24	14.0-27.6	0.50	12.00	2500	185.24	5.24	9.39	0.37	92	44.0	740.0
LFD1725AB48S	48	28.0-56.0	0.80	38.40	4000	305.29	8.64	28.93	1.14	284	67.0	740.0
LFD1725AB48H	48	28.0-56.0	0.60	28.80	3500	257.88	7.30	18.02	0.71	177	59.0	740.0
LFD1725AB48M	48	28.0-56.0	0.50	24.00	3000	220.85	6.25	13.20	0.52	129	51.0	740.0
LFD1725AB48L	48	28.0-56.0	0.40	19.20	2500	185.24	5.24	9.39	0.37	92	44.0	740.0