

92x92x25mm
3.62"x3.62"x1.00"

GENERAL SPECIFICATIONS

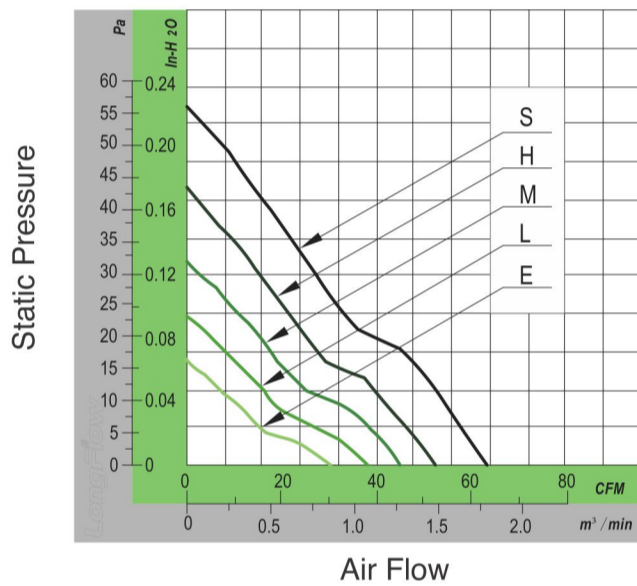
Motor Structure: Brushless DC Motor
 Motor Protection: Auto-Restart | Polarity Protection(Optional)
 Allowable Ambient Temperature Range:
 -10°C ~ +70°C (Operating)
 -40°C ~ +70°C (Storage)
 (non-condensing environment)
 Safety Standard: UL | TUV | ROHS | CE (Optional)
 Customized Fan Features: FG | RD | IP56|PWM (Optional)



MATERIAL

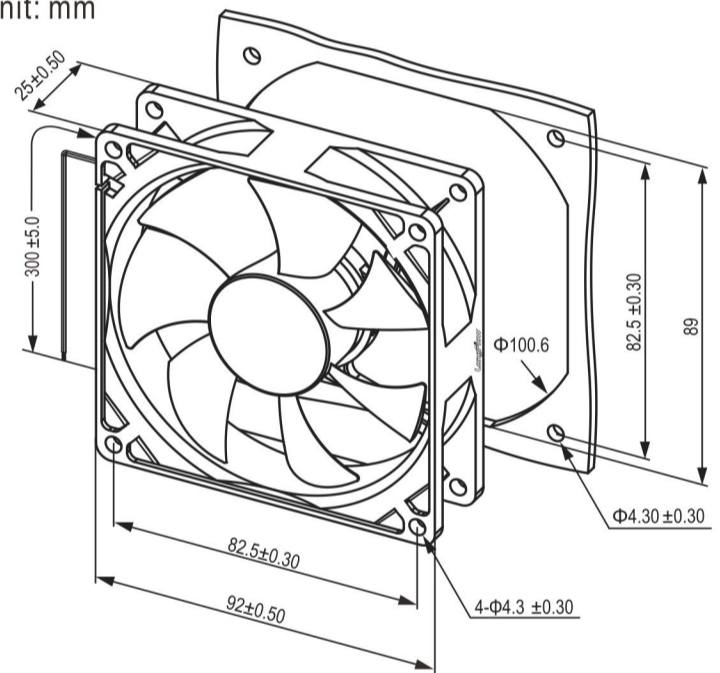
Frame : Plastic (UL94V-0)
 Impeller : Plastic (UL94V-0)
 Bearing&Expected Life:
 Sleeve Bearing 30,000hrs (40°C);
 Ball Bearing 70,000hrs (40°C)
 Lead Wire : UL1007AWG#24 or Equivalent (+) Red, (-) Black

PERFORMANCE CURVES



OUTLINE DRAWING

unit: mm



MODEL SPECIFICATIONS

Model	Rated Voltage	Operating Voltage	Input Current	Input Power	Speed	Max. Air Flow		Max. Air Pressure			Noise Level	Weight
	(V)	(V)	(A)	(W)	RPM	CFM	M ³ /MIN	mm H ₂ O	in H ₂ O	Pa	dBA	(G)
LFD9225NX12S	12	7.0-13.8	0.60	7.20	4000	63.73	1.80	5.58	0.22	55	47.0	78.0
LFD9225NX12H	12	7.0-13.8	0.50	6.00	3500	54.98	1.56	4.57	0.18	45	41.0	78.0
LFD9225NX12M	12	7.0-13.8	0.40	4.80	3000	46.23	1.31	3.30	0.13	32	37.0	78.0
LFD9225NX12L	12	7.0-13.8	0.30	3.60	2500	37.93	1.07	2.28	0.09	22	31.0	78.0
LFD9225NX12E	12	7.0-13.8	0.20	2.40	2000	30.96	0.88	1.52	0.06	15	25.0	78.0
LFD9225NX24S	24	14.0-27.6	0.50	12.00	4000	63.73	1.80	5.58	0.22	55	47.0	78.0
LFD9225NX24H	24	14.0-27.6	0.40	9.60	3500	54.98	1.56	4.57	0.18	45	41.0	78.0
LFD9225NX24M	24	14.0-27.6	0.30	7.20	3000	46.23	1.31	3.30	0.13	32	37.0	78.0
LFD9225NX24L	24	14.0-27.6	0.20	4.80	2500	37.93	1.07	2.28	0.09	22	31.0	78.0
LFD9225NX24E	24	14.0-27.6	0.15	3.60	2000	30.96	0.88	1.52	0.06	15	25.0	78.0
LFD9225NX48S	48	28.0-56.0	0.40	19.20	4000	63.73	1.80	5.58	0.22	55	47.0	78.0
LFD9225NX48H	48	28.0-56.0	0.25	12.00	3500	54.98	1.56	4.57	0.18	45	41.0	78.0
LFD9225NX48M	48	28.0-56.0	0.20	9.60	3000	46.23	1.31	3.30	0.13	32	37.0	78.0
LFD9225NX48L	48	28.0-56.0	0.15	7.20	2500	37.93	1.07	2.28	0.09	22	31.0	78.0

* X refers to bearing type and can be B or S (B: ball bearing; S: sleeve bearing)